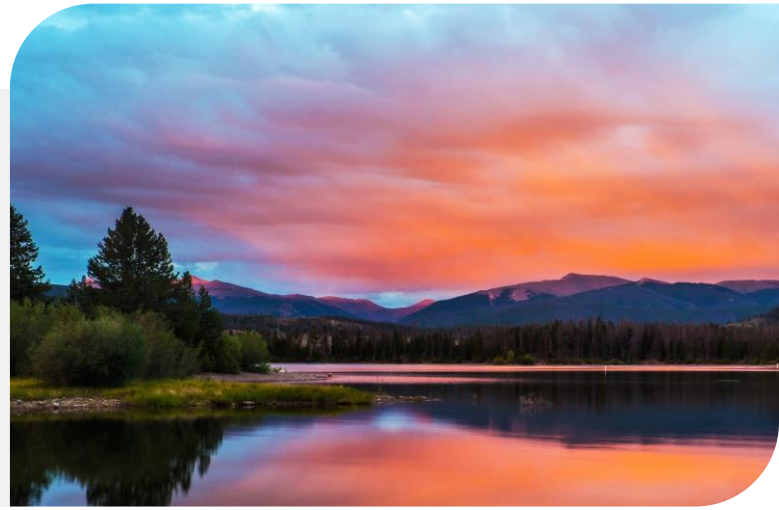


Spectra RioBroker



Media Management, Media Archiving and Enterprise Data Movement

RioBroker® is an enterprise data mover and media archiver that seamlessly integrates simplicity and efficiency into media workflows and protection. It provides universal access to media assets anytime, anywhere. RioBroker modularity and rich feature sets provide scalability and media management tools to address the needs of diverse organizations and budgets.



Manual (ad hoc) Archiving



- Simple, intuitive Web UI to browse, select, and archive
- Tag and flexible search functions for quick, easy restores
- Definable, editable tags before or after archiving

Semi-Automated Archiving



- Highly flexible RioWatchFolder (WF) schemas
- Organize and manage media with flexible, configurable tag functions
- RioWatchFolder profiles & cloning for easy scaling of WFs & performance

Integrated Archiving



- Widely integrated with all popular applications via simple RESTful APIs
- Broadly adopted & deployed WW
- Unified namespace for all assets across storage mediums, sites and clouds

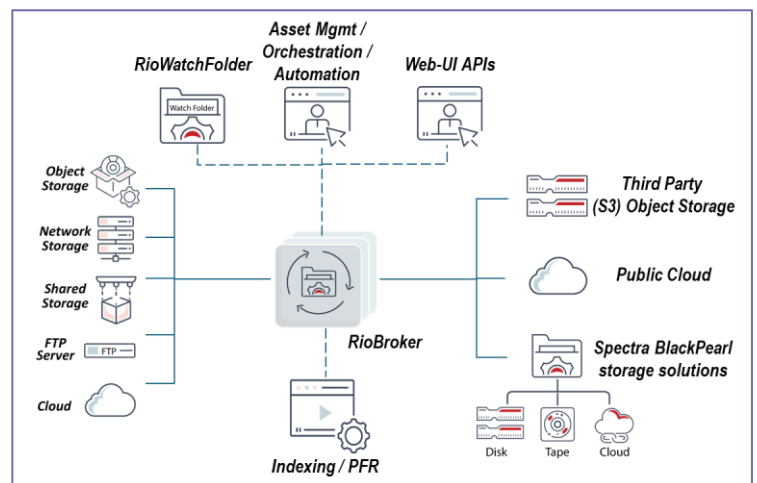
Proven Risk-Free Media Migrations



- Migrate live assets without disruption to production
- Automated, scalable and customizable to meet your needs
- Migrate from legacy middleware to and from tape, object disk and cloud

Simple Media Management Features

- Intuitive, user-friendly Web UI
- Extensive, flexible, editable tagging
- Easy search and recovery functions
- Partial file recovery
- Extensive log functions for audits and discovery
- Standards-based APIs and formats for longevity
- Transcends on-premises, cloud, site and storage mediums



RioBroker Runs on Physical/Virtual Servers and as a Container on Windows/Linux Platforms

Storage Agnostic

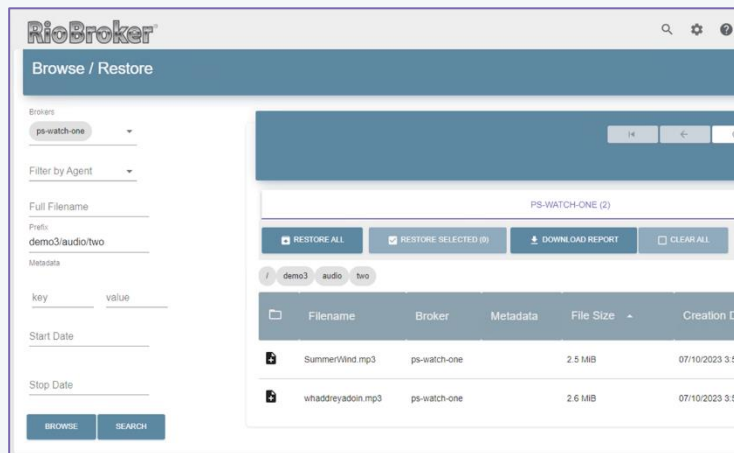
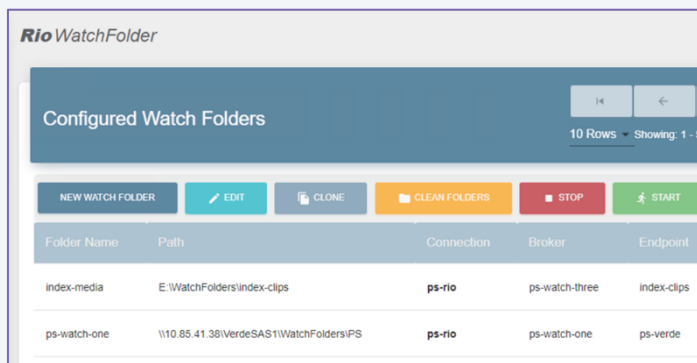
While RioBroker is optimized to work with Spectra storage, such as BlackPearl Nearline Gateway (multi-tier storage with lifecycle management & tiering), RioBroker has been designed to work just as well with any third-party standard S3 object storage. Third-party storage can be on-premises (such as Spectra's glacier-class storage) or cloud-based, such as AWS, Google, etc. This allows customers to choose their storage and protect their current investments. RioBroker bridges the gap between file and object world and between on-premises and cloud operations, enabling hybrid workflows.

Multiple Data Transfer APIs Supported

RioBroker can access, move, copy, and archive files and objects from any primary storage or other sources via a host of standard APIs, such as CIFS/SMB and NFS for standard and purpose-built storage, an FTP interface for FTP servers, and standard S3 APIs for S3-compliant storage (on-premises or in the cloud), including Spectra's own S3 and glacier-class storage on-premises.

User-friendly Web-UI

RioBroker user interface is designed to be simple and intuitive for system administrators and end-users. Administrators can easily deploy and scale workflows to create efficiencies in their environment while end-users can perform and achieve their tasks more efficiently and faster without help from sys-admins.



Clustering & High Availability

RioBroker can operate as a single node or a cluster of nodes for environments demanding greater performance. RioBroker will automatically pool and load balance the media transfer among its nodes. In the unlikely event of a node failure, RioBroker will automatically rebalance the load. In the case of a master node failure, it will promote a working node to a master node – ensuring resiliency and continuity of operations.

Partial File Recovery

RioBroker offers Time-Based Partial File Restore (TPFR) independent of the application. RioBroker creates an index of media files that it moves to the archive. Using this (TPFR), a user (client application) can quickly retrieve and utilize part of a large media file or a sequence based on its relevant time codes rather than the entire file.

Supports Glacier-Class Storage On-premises

In addition to standard and IA (S3) storage, Spectra offers glacier-class storage on-premise to those who desire the benefits of glacier-class storage but need faster access and lower cost. Further, glacier-class storage on-premises gives customers control over their content, ransomware protection and the ability to seed and deploy services on other cloud providers without egress fees. RioBroker seamlessly supports and manages all classes of S3 storage on-premises, in conjunction with cloud storage.

About Spectra Logic Corporation

Spectra Logic modernizes IT infrastructures to preserve, protect and defend data, from days to decades, whether on-premises, in a single cloud, across multiple clouds or in all locations at once. Our cost-effective solutions help organizations efficiently manage, migrate and store long-term data, from terabytes to exabytes, with features that make it ransomware resilient.